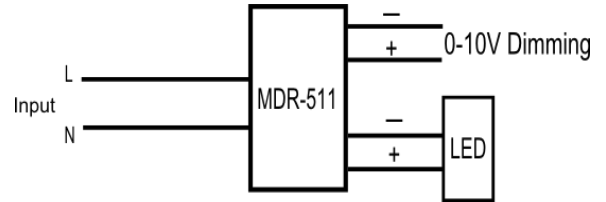


# SPECIFICATIONS

## Features

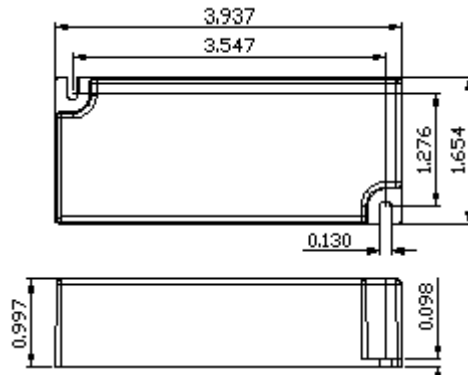
- Constant Current Output
- 0-10V Dimming
- Class 2 Compliance
- Damp Location
- 5 Year Warranty
- Hot Wire Protection

## Wiring Diagram



## Mechanical and Thermal

Dimensions	L3.937"XW1.654"XH0.997"
Weight	140g
Lead Wire Length	6" (Standard)
Max. Case Operation Temp.	80°C



\* Dimension in Inch

## Protection

- Auto-reset electronic short circuit
- Overload protection
- Class 2
- Inherent Thermal Protection

## Environmental Specifications

- Operating Temperature -20° to 60 °C
- Storage Temperature -20° to 70 °C
- MTBF >100,000 hrs
- Lead Free SMT process

## Electrical

Maximum Load	13W
Input Voltage	120 – 277V/50-60Hz
Output Voltage	33-50VDC
Output Current (max.)	250mA
Power Factor	>0.90 (8-13W)
Efficiency	80 typ.
No Load Loss	<1 W



Note –

1. UL file No.: E340871
2. Driver is designated for "Stand by mode" at minimum light intensity (<0.8Vdc) power will not be OFF.



Macron Associate Co. – Power Supply Team

NO.352, Peng-Yi Road, Taiping, Taichung, Taiwan 411

TEL: 886-4-22708357 FAX: 886-4-22767307 Email: macron@macrongroup.com

C0618